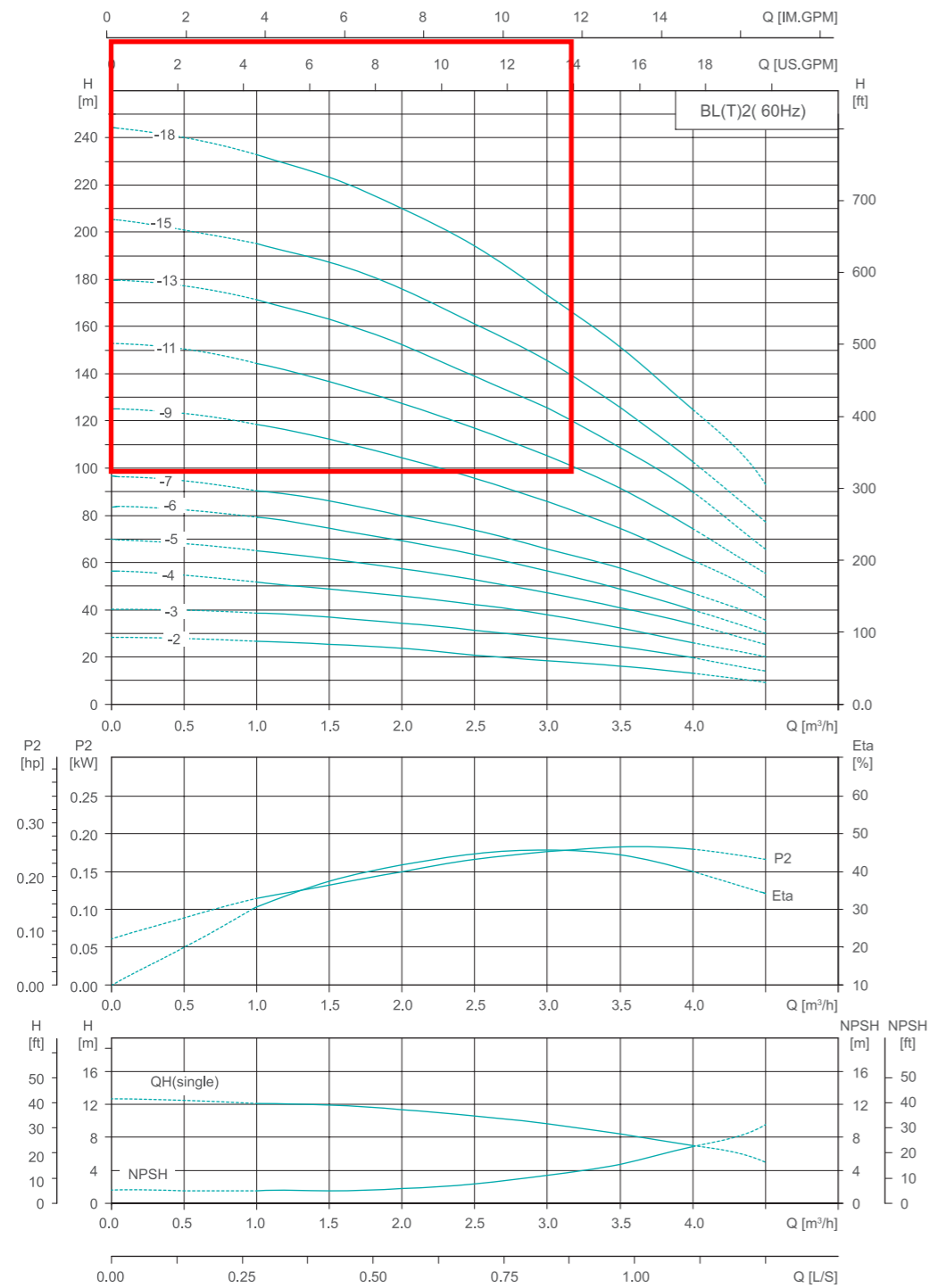


Performance Curve - BL(T)2

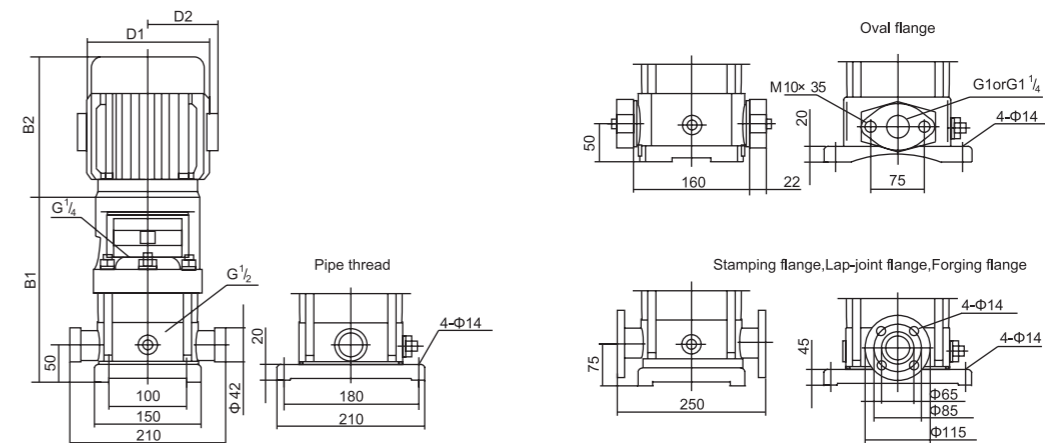


Performance Table

Model	Power		Q (m³/h)	1	1.5	2	2.5	3	3.5	4	Head Range (m)
	kW	HP									
BL(T)2-2	0.55	0.75	H(m)	26	24	22	21	18	16	12	12~26
BL(T)2-3	0.75	1		39	36	33	31	27	24	19	19~39
BL(T)2-4	1.1	1.5		52	48	45	42	36	32	26	26~52
BL(T)2-5	1.1	1.5		65	60	57	52	46	41	32	32~65
BL(T)2-6	1.1	1.5		78	74	69	63	56	49	40	40~78
BL(T)2-7	1.5	2		91	86	81	74	66	57	47	47~91
BL(T)2-9	2.2	3		117	111	104	95	86	75	61	61~117
BL(T)2-11	2.2	3		143	136	128	116	104	90	75	75~143
BL(T)2-13	3	4		171	163	152	139	126	108	90	90~171
BL(T)2-15	3	4		195	186	176	160	142	125	103	103~195
BL(T)2-18	4	5.5		234	228	212	195	171	151	126	126~234

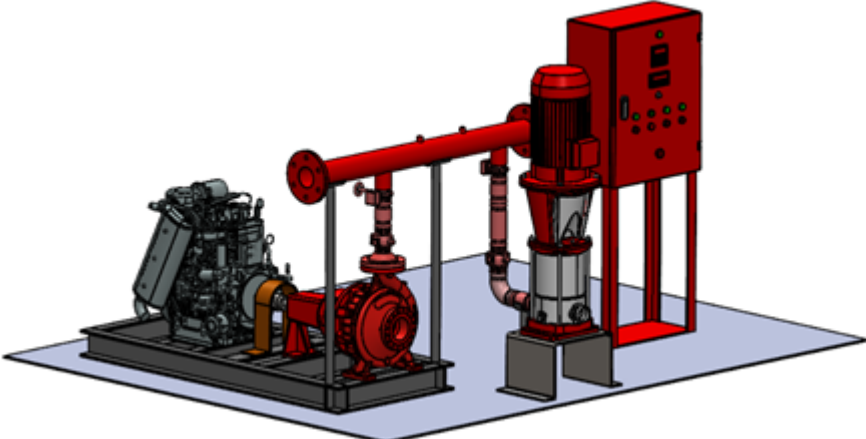
Dimensions & Weight

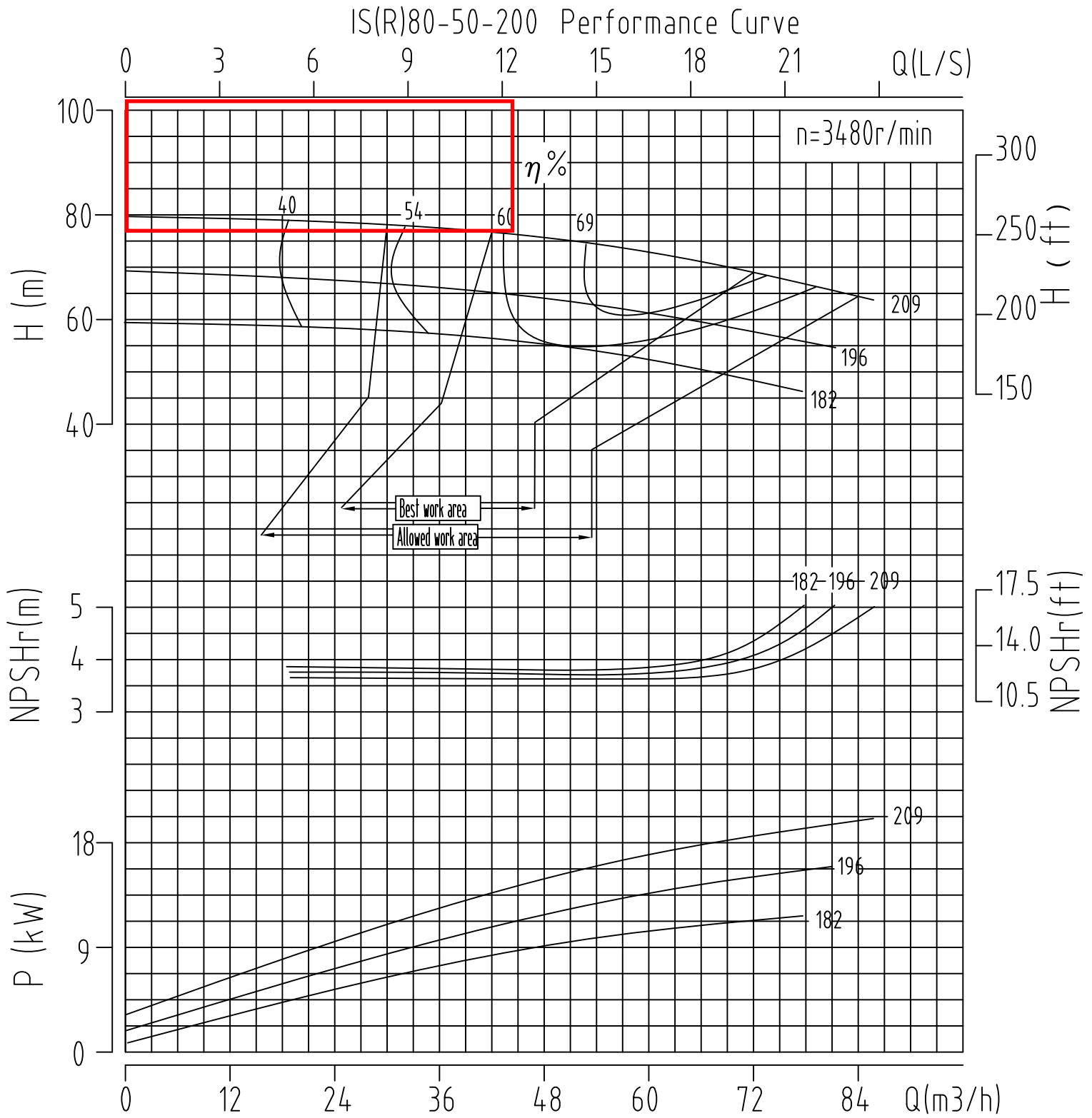
Model	Dim.(mm)					Weight	
	B1	B2	B1+B2	D1	D2	N.W.(kg)	N.W.(kg)
BL(T)2-2	267	220	487	145	80	23	29
BL(T)2-3	267	255	522	175	145	26	33
BL(T)2-4	285	255	540	175	145	28	35
BL(T)2-5	303	255	558	175	145	29	35
BL(T)2-6	321	255	576	175	145	29	36
BL(T)2-7	356	300	656	195	155	32	38
BL(T)2-9	392	300	692	195	155	36	43
BL(T)2-11	428	300	728	195	155	37	44
BL(T)2-13	467	325	792	215	180	44	51
BL(T)2-15	503	325	828	215	180	45	52
BL(T)2-18	557	325	912	240	190	54	61



Corvex Fire Systems - Data Sheet 200 GPM Diesel Fire pump

Item No.	Name	Model	Capacity		Head		Power	Speed	Inlet	Outlet
			gpm		psi	hp	r/min	mm	mm	
1	Diesel fire pump (Horizontal end-suction pump)	IS80-50-200		200		110	23	3600	80	50
	Air cooled Diesel engine (23 Hp,3600rpm,include fuel tank, 12V battery,exhaust silencer),coupling&guard									
2	Jockey pump (Vertical inline multi-stage pump)	BL2-11		14		140	3	3500	32	32
	Electric motor 220V,3P,60HZ									
3	Auto control panel,one panel controls 2 pumps.For diesel pump controlling,auto&manual operation,with battery charger,									
4	Manifold pipelines for discharge & valves for discharge & check valve & pressure gauges+Common baseplate									
Item NO. 1 Fire pump materials of construction: Pump casing: Cast iron, Impeller: Bronze, Shaft: SS420, gland packing seal										
Item NO. 2 Jockey pump materials of construction: All wetted parts are made in SS304										

<p style="text-align: center;">Web Site: http://www.corvexpumps.com/Fire_Horizontal_Pumps.html</p>	<p>Photo for reference</p>
	



Data applies to a density of 1 kg/dm³ and a kinematical viscosity of up to max.20 mm /s

Operating data guaranteed to ISO2548C/DIN1944/III